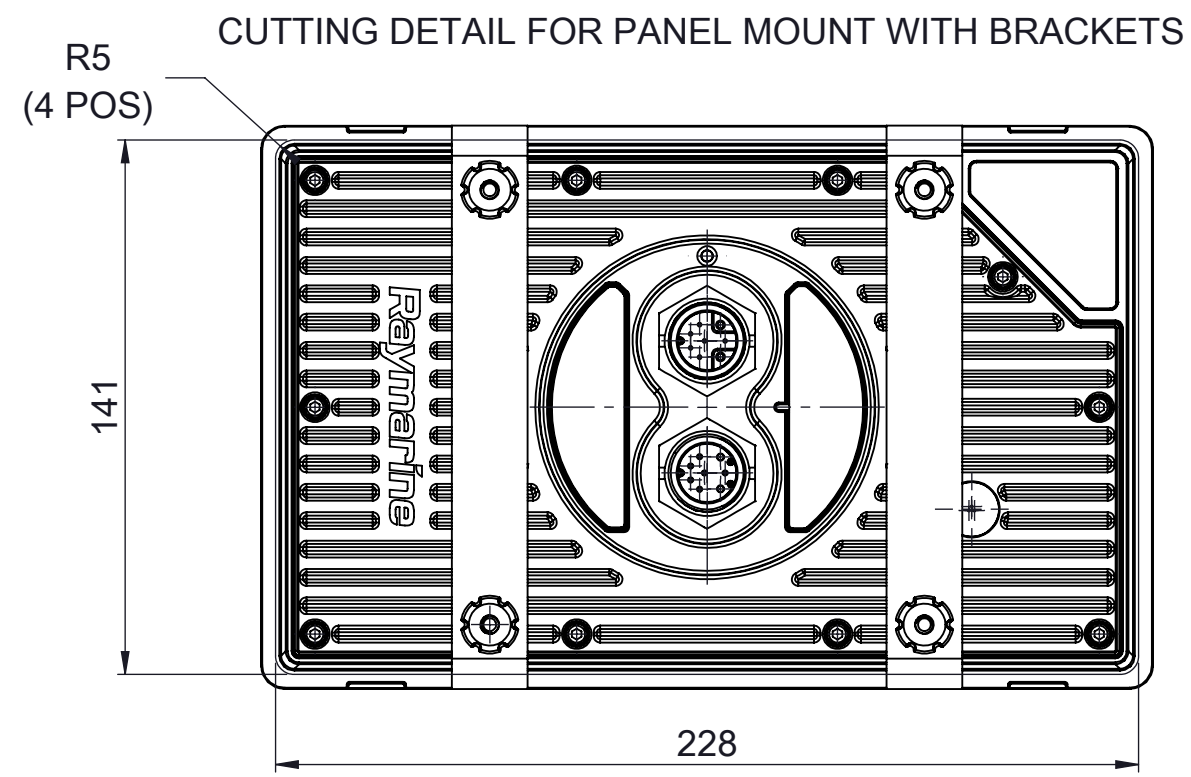
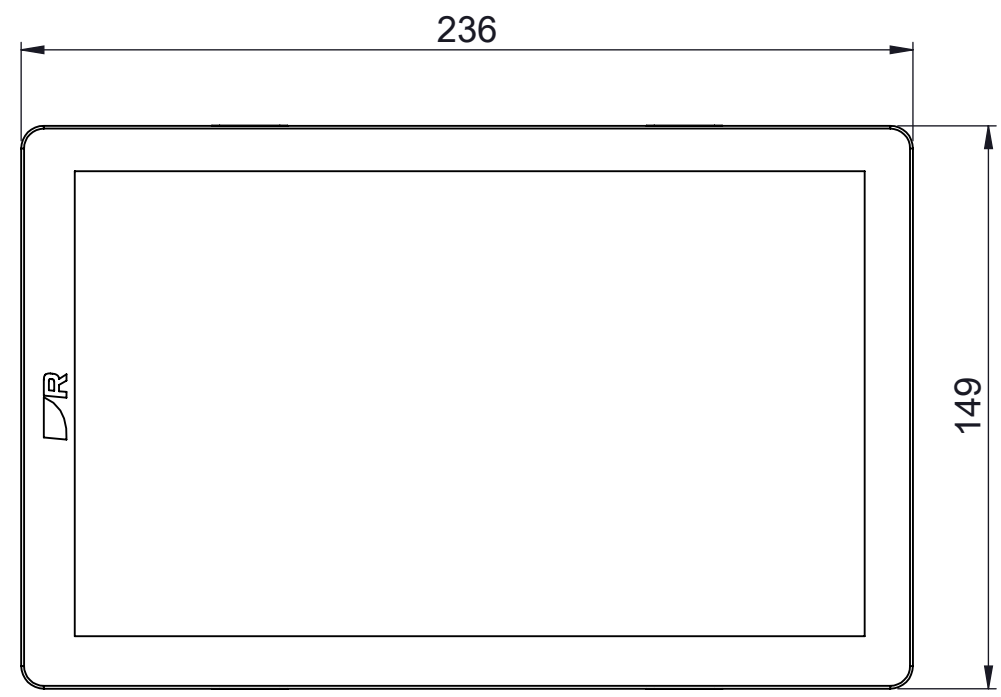


— Allow a minimum of 40 mm for the height of the cables and connectors from the back of the unit
 (If when routing the cable bending is required bends should be no less than 50mm)

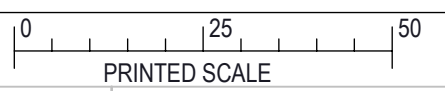


- NOTES:
- 1) FOR INFORMATION ON CONNECTIONS AND PRODUCT SPECIFICATIONS, PLEASE REFER TO HANDBOOK, PRODUCT SUPPORT AND WORKSHOP MANUALS.
 - 2) FOR ANY DIMENSIONAL INFORMATION NOT INCLUDED PLEASE CONTACT YOUR SALES REPRESENTATIVE.
 - 3) DIMENSIONS SHOWN ARE ACTUAL PRODUCT SIZE AND DO NOT INCLUDE ANY CLEARANCE DATA.

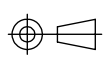
Raymarine

© 2019 RAYMARINE LTD
 Company Confidential

THE INFORMATION CONTAINED HEREIN SHALL NOT BE REPRODUCED WITHOUT THE PRIOR WRITTEN PERMISSION OF RAYMARINE LTD



DRAWN TO BS308



DO NOT SCALE - IF IN DOUBT ASK

DRN: MA
 DIMENSIONS IN MM

DATE: 2023-03-02
 SCALE: 1:2

TITLE
 D_9in Smart Inst Disp_SM
 DRAWING No.
 D_9in Smart Inst Disp_SM