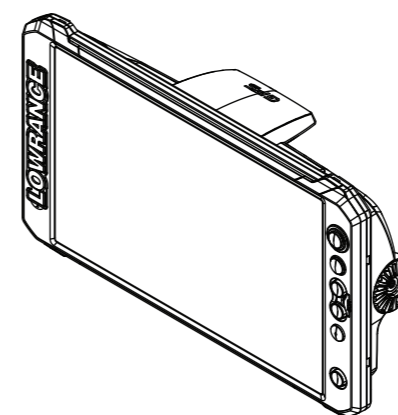


## Technical specification

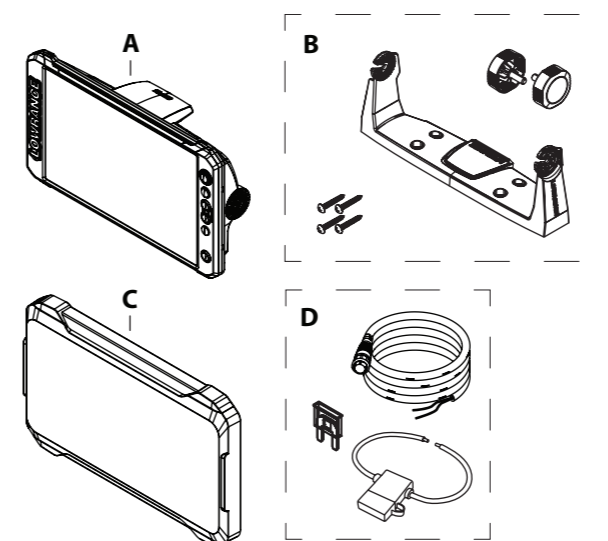
	7"	9"
<b>Environmental</b>		
Operating temperature range	-15°C to +55°C (5°F to 131°F)	
Storage temperature	-20°C to +60°C (4°F to 140°F)	
Waterproof rating	IPX6 and IPX7	
<b>Electrical</b>		
Supply voltage	12 V DC (10 - 17 V DC min - max)	
Fuse rating	3 A	
Power consumption (maximum)	28 W (2 A at 13.8 V DC)	
<b>Display</b>		
Resolution	800 x 480 pixels	
Viewing angles in degrees	50° top, 60° bottom 70° left and right	
Brightness	> 1200 nits	
Touch screen	Multitouch	
<b>Physical</b>		
Weight (display only)	0.9 kg (1.9 lbs.)	1.2 kg (2.7 lbs.)
Compass Safe Distance	0.5 m (1.6 ft.)	
<b>Interface/Connectivity</b>		
NMEA 2000®	1 port (Micro-C connector)	
Data card reader	1x slot (microSD, SDXC)	
Ethernet	1 port (5-pin Ethernet connector, 100Base-T)	
Sonar	1 port (9-pin connector)	
WiFi Internal	802.11b/g/n	
Bluetooth®	4.0 with support for Bluetooth® Classic	
GPS	10Hz high speed update WAAS, MSAS, EGNOS, GLONASS	

# LOWRANCE®

## ELITE FS™ INSTALLATION GUIDE



## Parts included



- A** Elite FS™ unit
- B** Gimbal bracket kit
- C** Sun cover
- D** Power cable kit

## Compliance statements

### Declarations

The relevant declarations of conformity are available at:  
[www.lowrance.com](http://www.lowrance.com)

### Europe

Navico declare under our sole responsibility that the product conforms with the requirements of:

- CE under RED 2014/53/EU

### United States of America

Navico declare under our sole responsibility that the product conforms with the requirements of:

- Part 15 of the FCC Rules. Operation is subject to the following two conditions: (1) this device may not cause harmful interference, and (2) this device must accept any interference received, including interference that may cause undesired operation

**! Warning:** The user is cautioned that any changes or modifications not expressly approved by the party responsible for compliance could void the user's authority to operate the equipment.

→ **Note:** This equipment generates, uses and can radiate radio frequency energy and, if not installed and used in accordance with the instructions, may cause harmful interference to radio communications. However, there is no guarantee that the interference will not occur in a particular installation. If this equipment does cause harmful interference to radio or television reception, which can be determined by turning the equipment off and on, the user is encouraged to try to correct the interference by one or more of the following measures:

- Reorient or relocate the receiving antenna
- Increase the separation between the equipment and receiver
- Connect the equipment into an outlet on a circuit different from that of the receiver is connected
- Consult the dealer or an experienced technician for help

### ISED Canada

This device complies with ISED (Innovation, Science and Economic Development) Canada's license-exempt RSSs. Operation is subject to the following two conditions: (1) This device may not cause interference; and (2) This device must accept any interference, including interference that may cause undesired operation of the device.

La traduction française de ce document est disponible sur le site Web du produit.

### Australia and New Zealand

Navico declare under our sole responsibility that the product conforms with the requirements of:

- level 2 devices of the Radiocommunications (Electromagnetic Compatibility) standard 2017
- radiocommunications (Short Range Devices) Standards

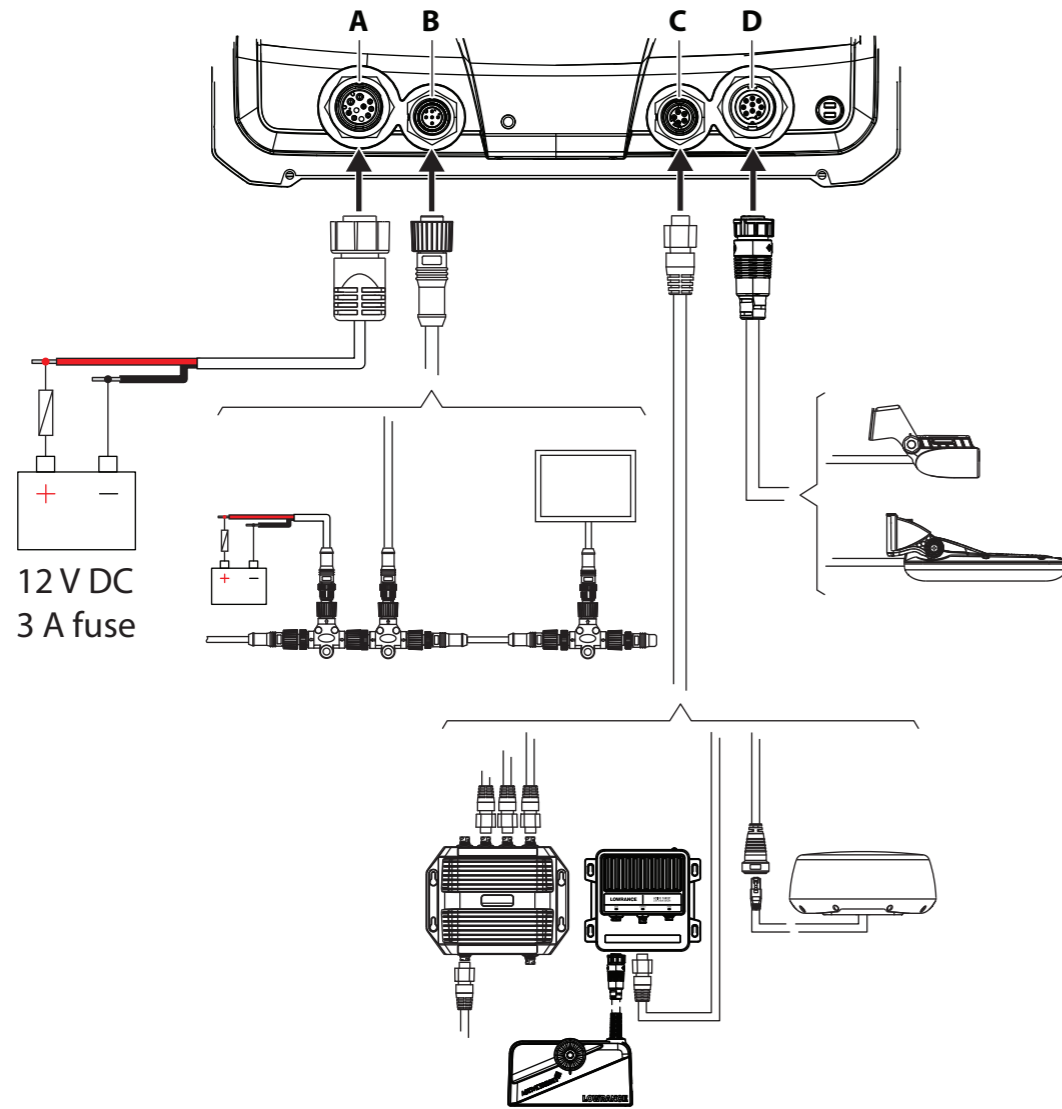
## Trademarks

®Reg. U.S. Pat. & Tm. Off, and ™ common law marks. Visit [www.navico.com/intellectual-property](http://www.navico.com/intellectual-property) to review the global trademark rights and accreditations for Navico Holding AS and other entities.

## Wiring

→ **Note:** The illustration shows connection examples. Accessories and additional devices are sold separately.

- A Power**, 10 pin-connector      **C Ethernet**, 5-pin connector  
**B NMEA 2000®**, Micro-C connector      **D Sonar**, 9-pin connector



### Power (A)

The unit is designed to be powered by 12 V DC. It is protected against reverse polarity, under voltage and over voltage (for a limited duration).

A fuse or circuit breaker shall be fitted to the positive supply.

Wire color	Purpose
Red	+ 12 V
Black	DC negative

### NMEA 2000® (B)

The NMEA 2000® data port allows receiving and sharing of a multitude of data from various sources.

### Ethernet (C)

Ethernet is used to interconnect high bandwidth devices such as radar, sonar modules, and other displays. Connection of network devices can be made directly to the Ethernet port, or via a network expansion device.

### Sonar (D)

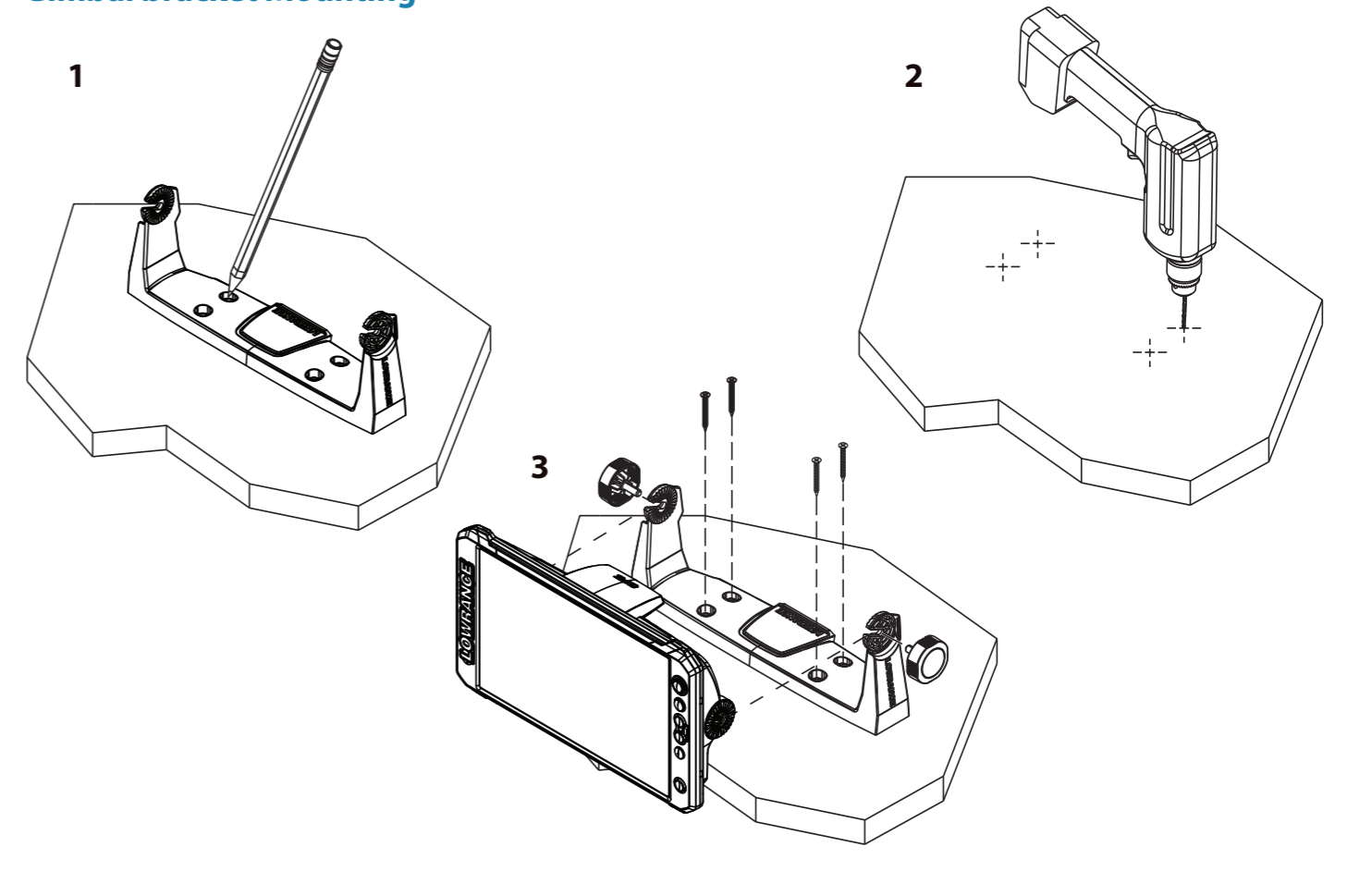
→ **Note:** A 7-pin transducer cable can be connected to a 9-pin port using a 7-pin to 9-pin adapter cable. However, if the transducer has a paddle wheel speed sensor, the water-speed data will not be displayed on the unit.

Supports:

- Sonar / CHIRP Sonar
- DownScan
- SideScan
- ActiveImaging™/ActiveImaging™ 3-in-1/TotalScan®/StructureScan®
- LiveSight™ via PSI-1

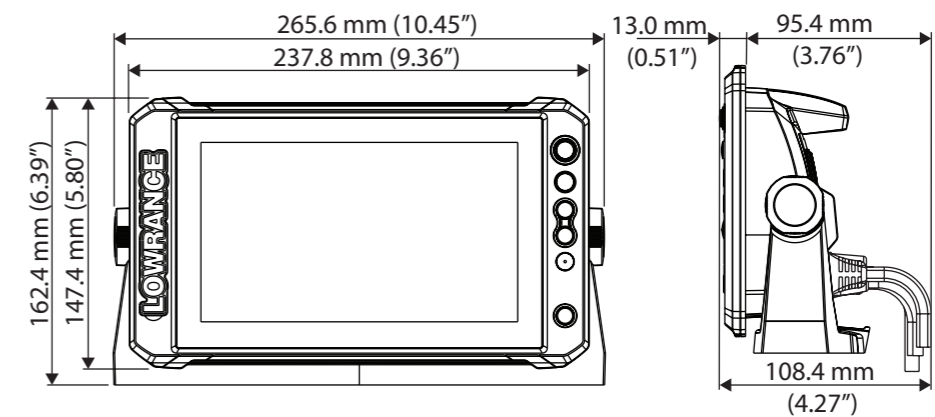
→ **Note:** ActiveTarget™ transducers are supported via its external module connected to the Ethernet network.

## Gimbal bracket Mounting



## Dimensional drawings

### 7" unit



### 9" unit

