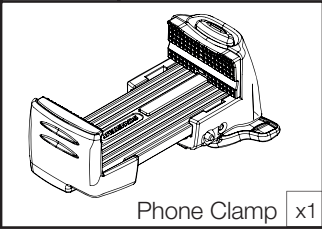
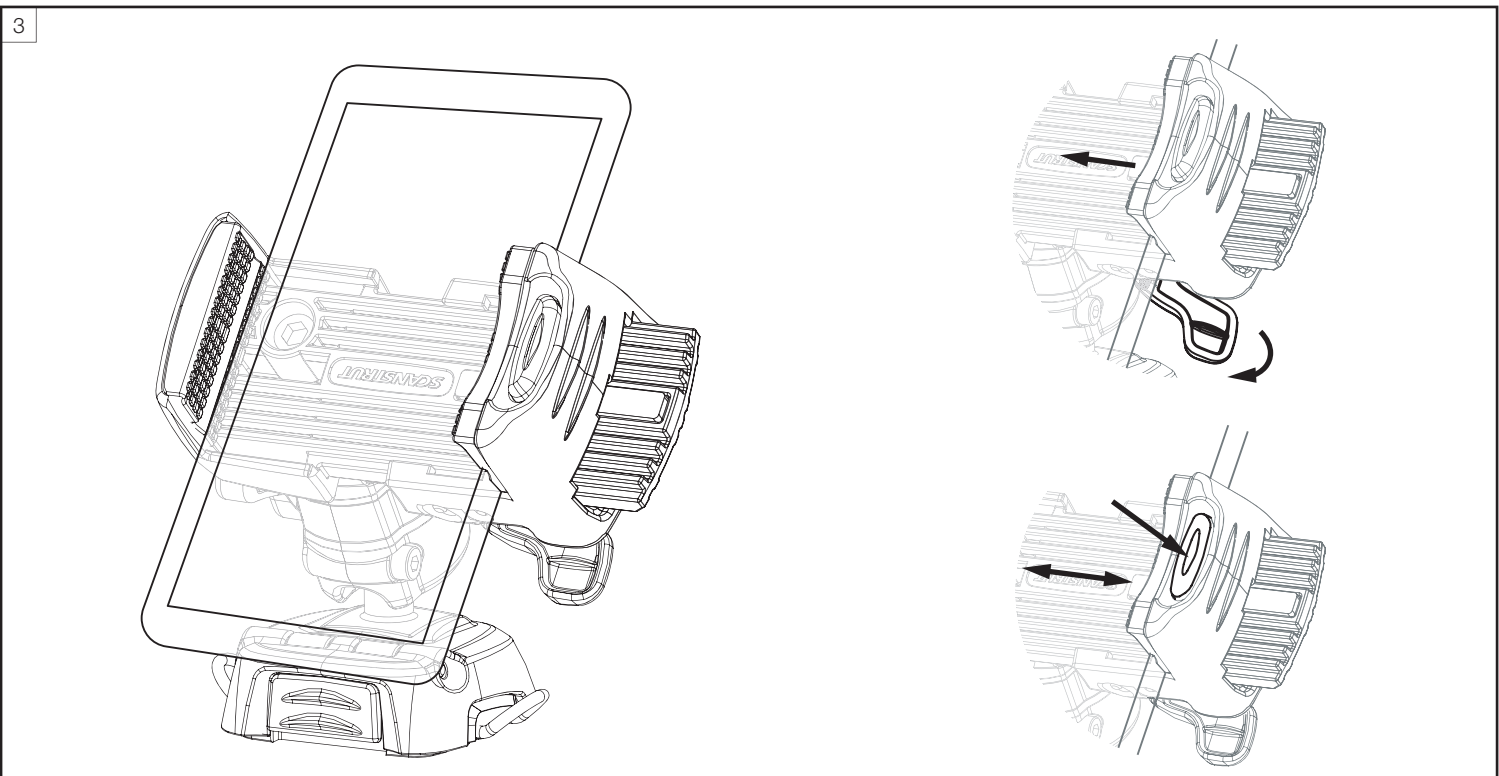
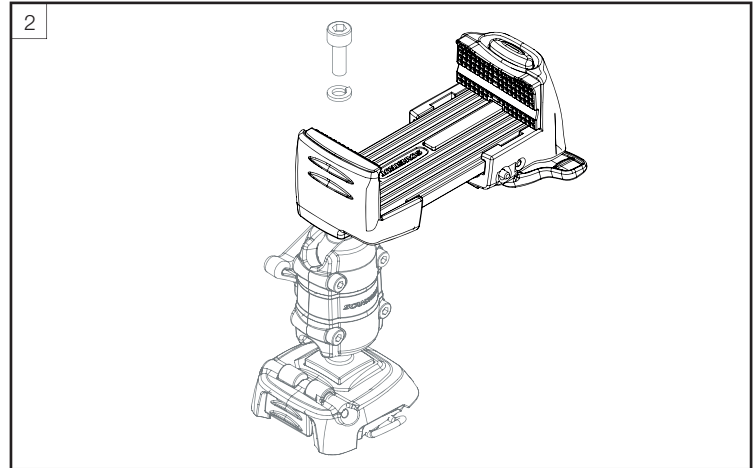
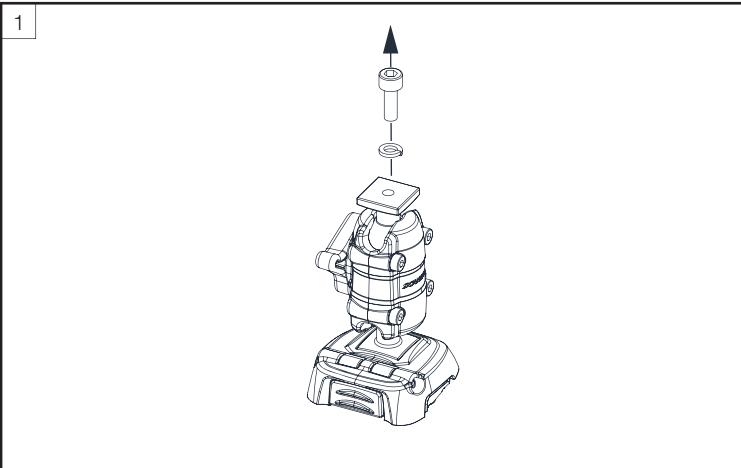
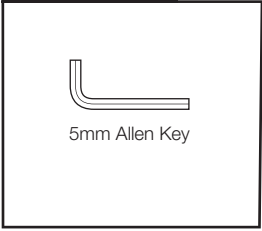


Parts List



Tools Required



Share your installation with us.



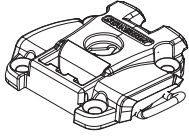

@scanstrut

UK & International
+44 (0)1392 531280
sales@scanstrut.com


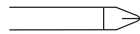
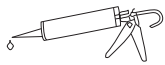
For further installation
and warranty information
please visit:
www.scanstrut.com

USA
+1 860 308 1416
usasales@scanstrut.com

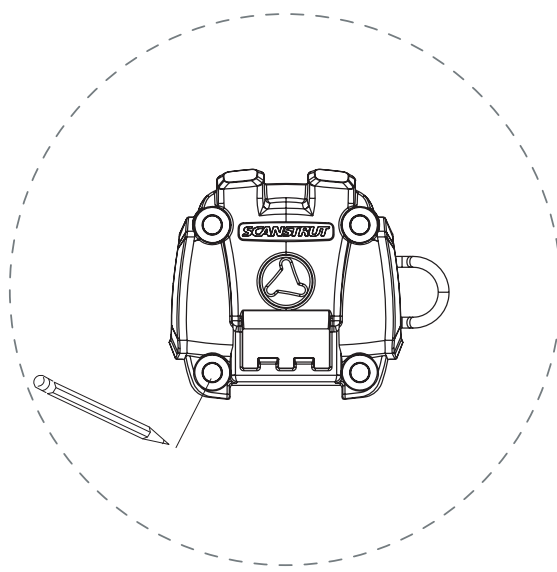
Parts List

 <p>Base x1</p>	 <p>No. 4 X 20 Self tapping screw x4</p>
--	---

Tools Required

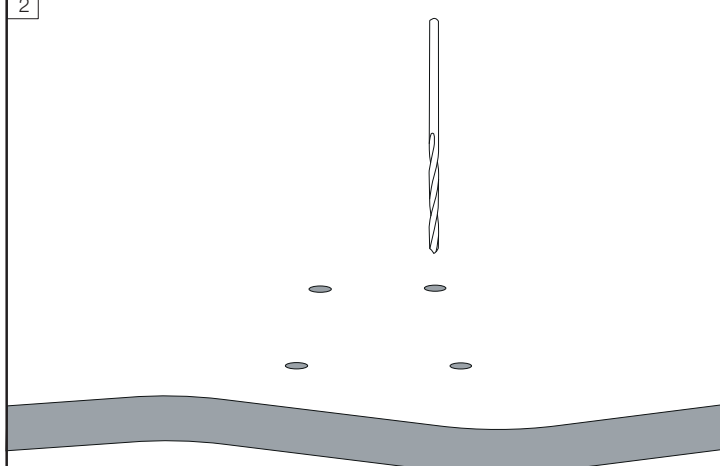
 <p>ø2.5mm (3/32") Drill Bit</p>	 <p>Pozi Screwdriver</p>	 <p>Silicone</p>
--	---	---

1



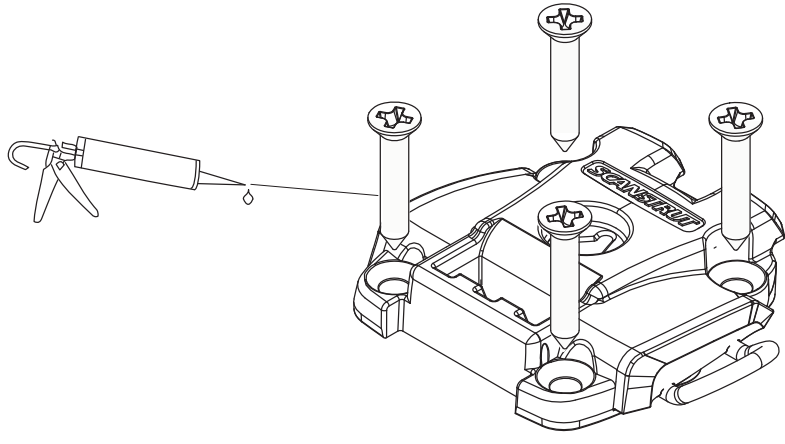
Check base is located away from objects that will obstruct the movement or removal of the ROKK Body and mark fixing positions.

2



Suggested pilot holes:	
Material	No. 6 Screw
Soft Material e.g. plywood	2.5mm (3/32")
Hard Material e.g. fiberglass, acrylic, hardwoods	3mm (1/8")

3



Share your installation with us.



UK & International
+44 (0)1392 531280
sales@scanstrut.com

For further installation
and warranty information
please visit:
www.scanstrut.com

USA
+1 860 308 1416
usasaless@scanstrut.com

